

HOEFLON®

C6e



NEW!

Hoeflon. Good job.

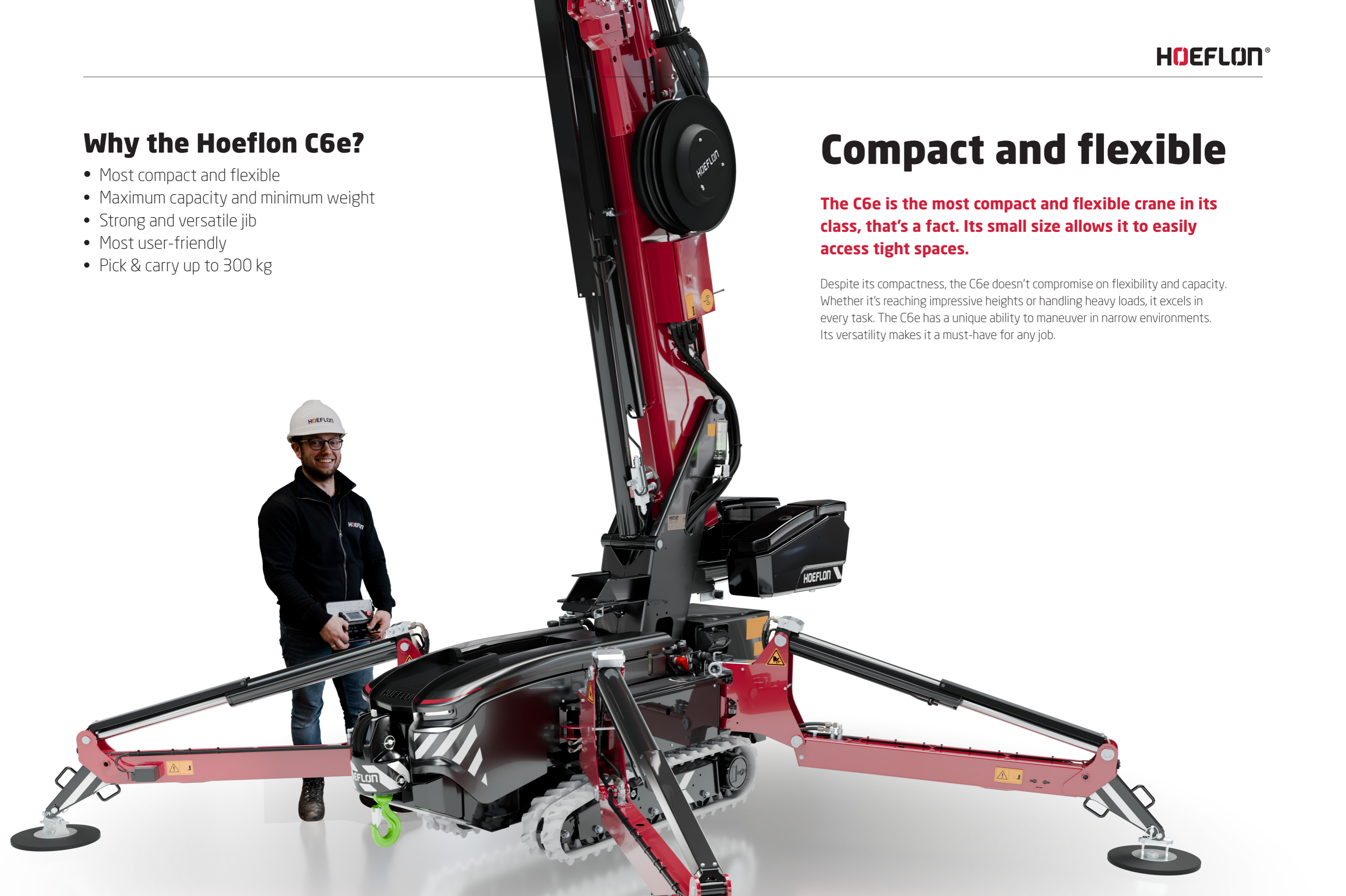
Why the Hoeflon C6e?

- Most compact and flexible
- Maximum capacity and minimum weight
- Strong and versatile jib
- Most user-friendly
- Pick & carry up to 300 kg

Compact and flexible

The C6e is the most compact and flexible crane in its class, that's a fact. Its small size allows it to easily access tight spaces.

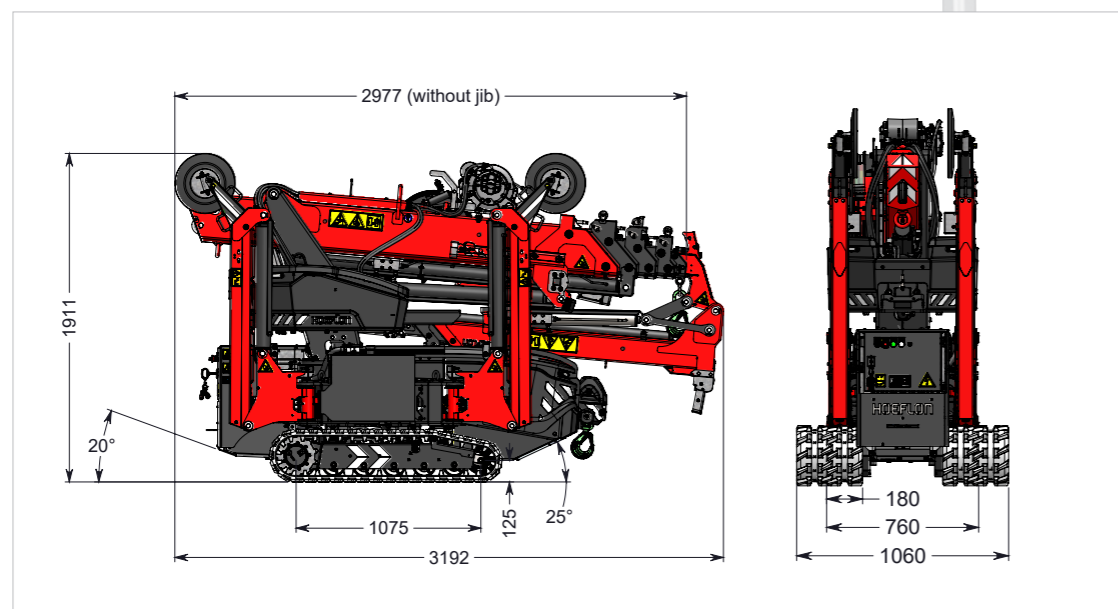
Despite its compactness, the C6e doesn't compromise on flexibility and capacity. Whether it's reaching impressive heights or handling heavy loads, it excels in every task. The C6e has a unique ability to maneuver in narrow environments. Its versatility makes it a must-have for any job.



Minimum weight and most compact From A to B with the Hoeflon C6e

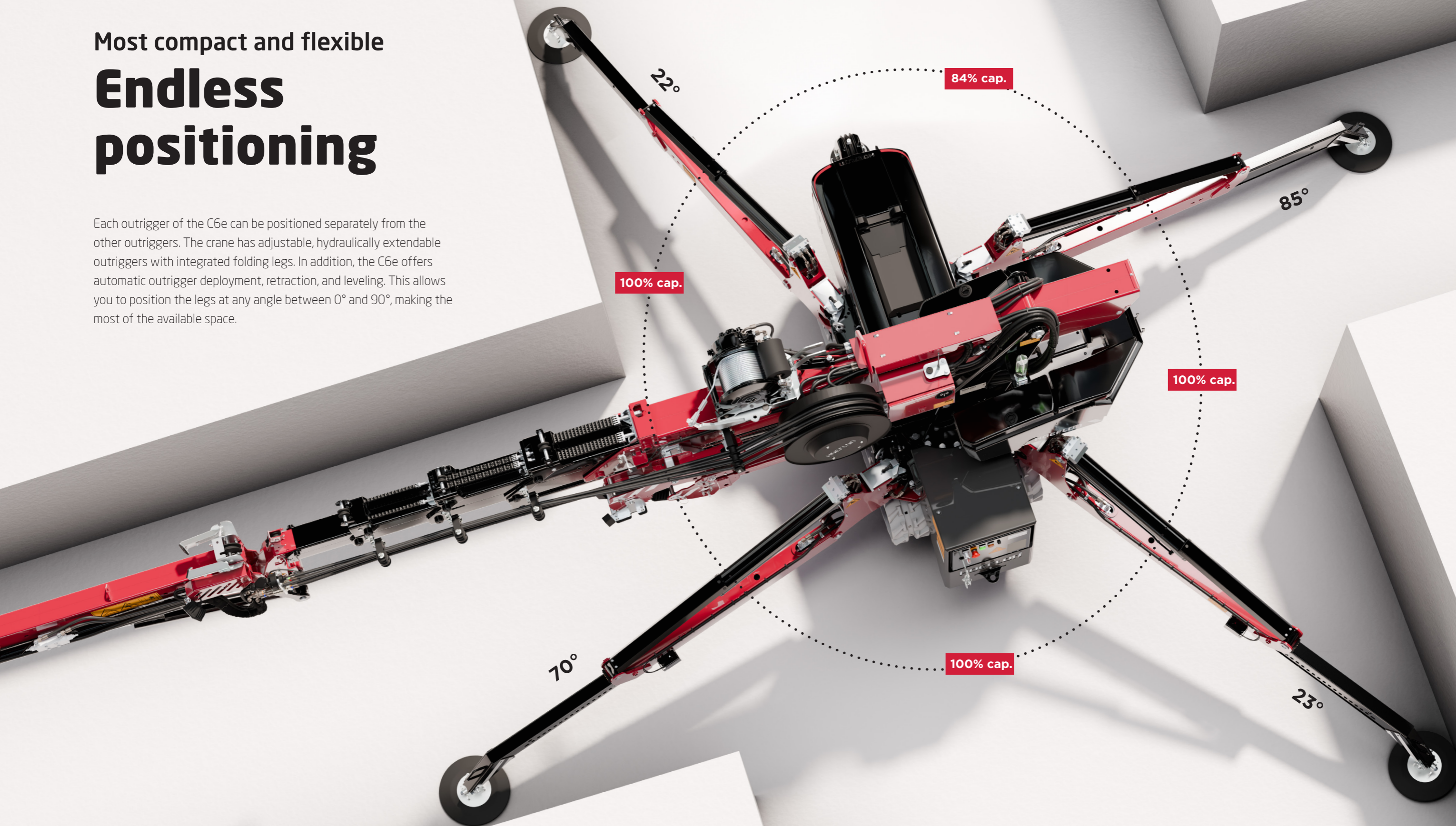
Little powerhouse. At 2850 kg, the C6e can definitely be called that. The crane can be transported with a pick-up truck or heavy duty van. The C6e gets the maximum capacity out of a 3-tonne mini-crane.

The C6e's compact size allows it to easily squeeze through tight spots. The crane is just 76 cm wide and its height can be reduced to 1.86 m. So narrow passages are no problem at all. Whether you are hoisting a jacuzzi into a backyard or placing a complete production line in a factory, the C6e does it all.

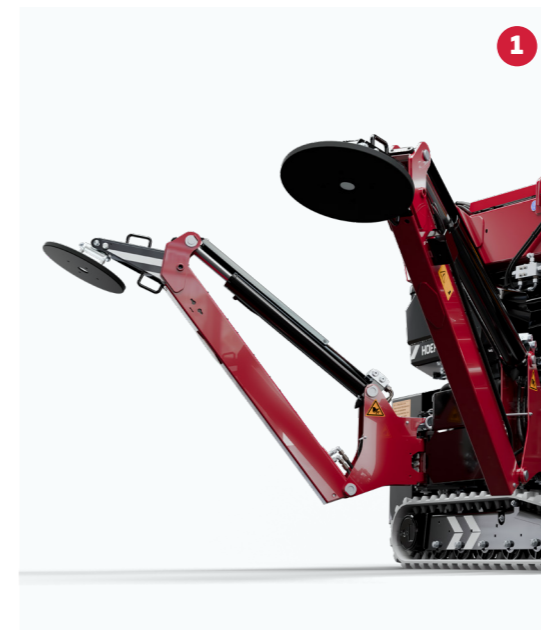
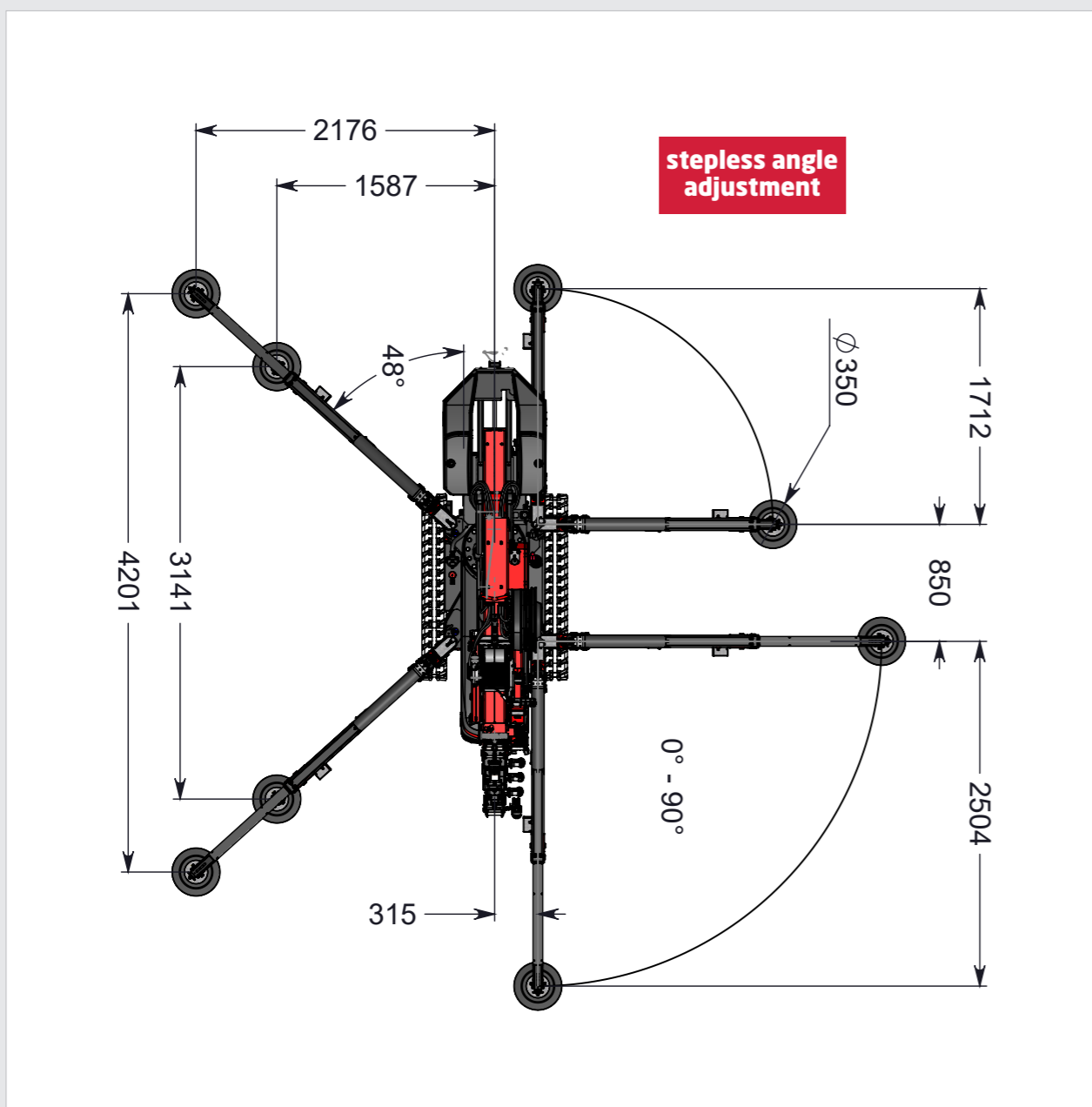


Most compact and flexible Endless positioning

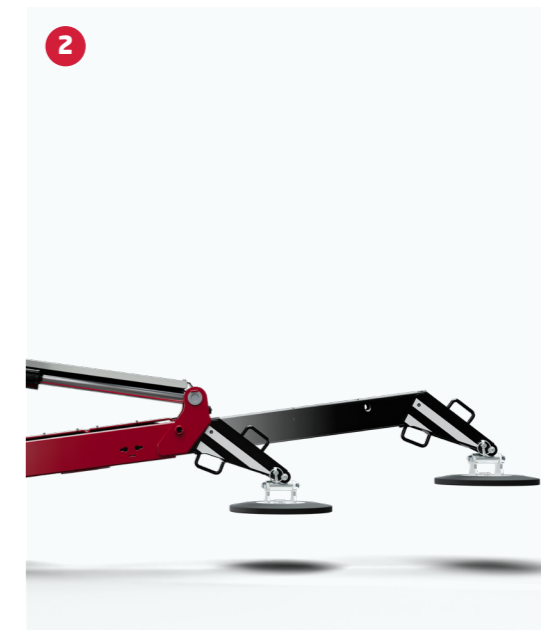
Each outrigger of the C6e can be positioned separately from the other outriggers. The crane has adjustable, hydraulically extendable outriggers with integrated folding legs. In addition, the C6e offers automatic outrigger deployment, retraction, and leveling. This allows you to position the legs at any angle between 0° and 90°, making the most of the available space.



Most compact and flexible Positioning



1 Automatically unfolding and leveling
The C6e's outriggers are automatically unfoldable and leveling, enabling quick and easy positioning.



2 Hydraulically extendable outriggers
The C6e's outriggers are hydraulically extendable. So you can attain the maximum capacity in any situation.

3 Adjustable outriggers
The C6e's outriggers are adjustable in a range of 0 - 90°. This means you can always place the outriggers in the optimum position to set up the crane perfectly in any workplace.

4 Folding legs
The C6e has folding legs. Normally, the outrigger is low to the ground so it can extend under obstacles. When placing the outriggers over an obstacle, pull out the folding leg. The folding leg also comes in handy on uneven terrain.



Maximum capacity and versatile jib

Lifting and hoisting

Jib

The jib weighs 150 kg and has a maximum capacity of 1050 kg.



30° adjustable section with manual jib extension

The 30° adjustable section with manual jib extension has a capacity of 3000 kg and can be mounted in either the main boom or the jib. The manual jib extension is particularly suitable for handling glass, with the rubber head preventing any damage to the glass. Its own weight is 17 kg.



Winch cable capacity

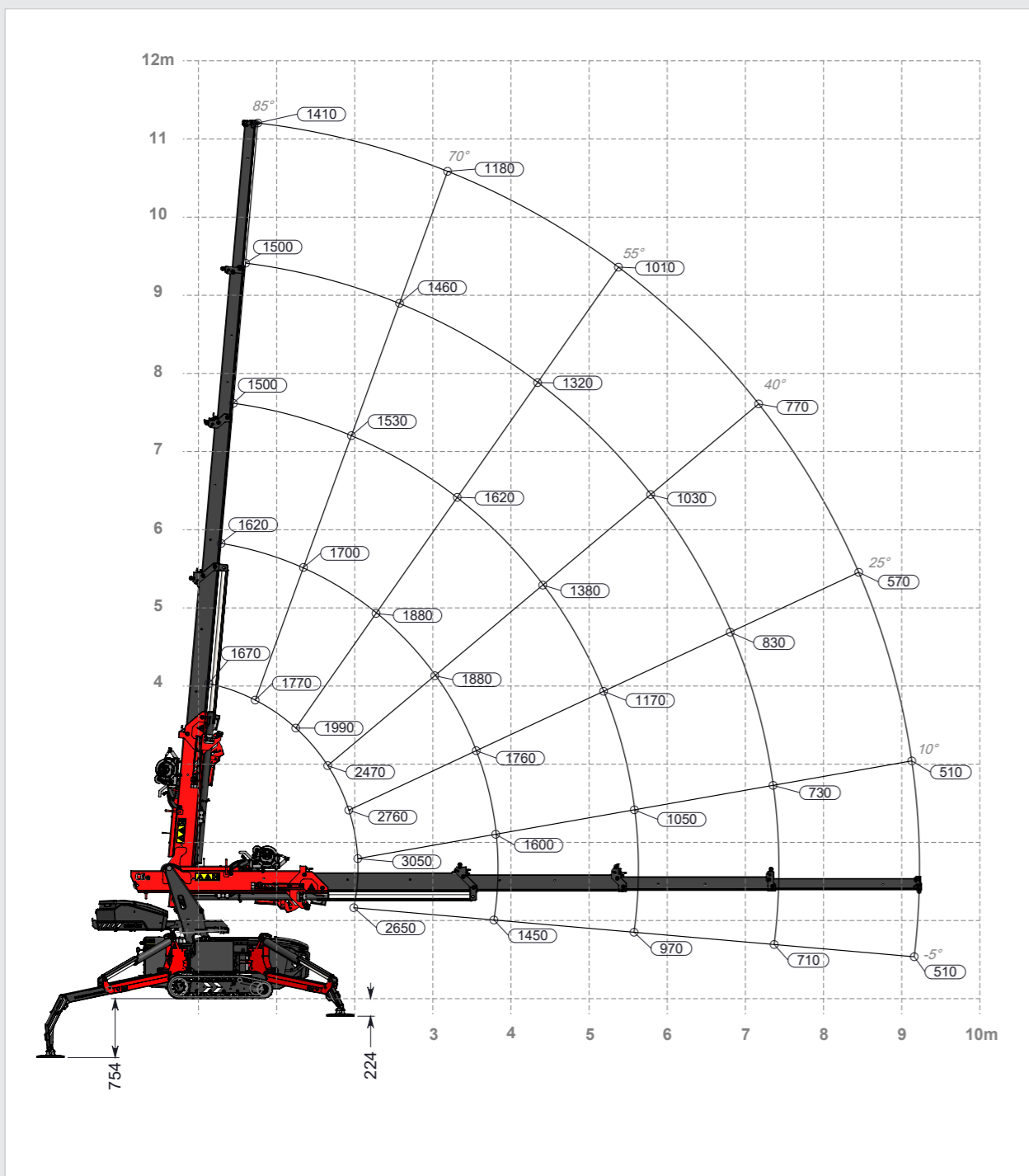
There are two winch options for the C6e. The 1000 kg winch with 40 m of cable is standard. A second possibility is the 800 kg winch with 80 m of cable. By means of reeving you can reach the maximum capacity of 3000 kg with both winches.



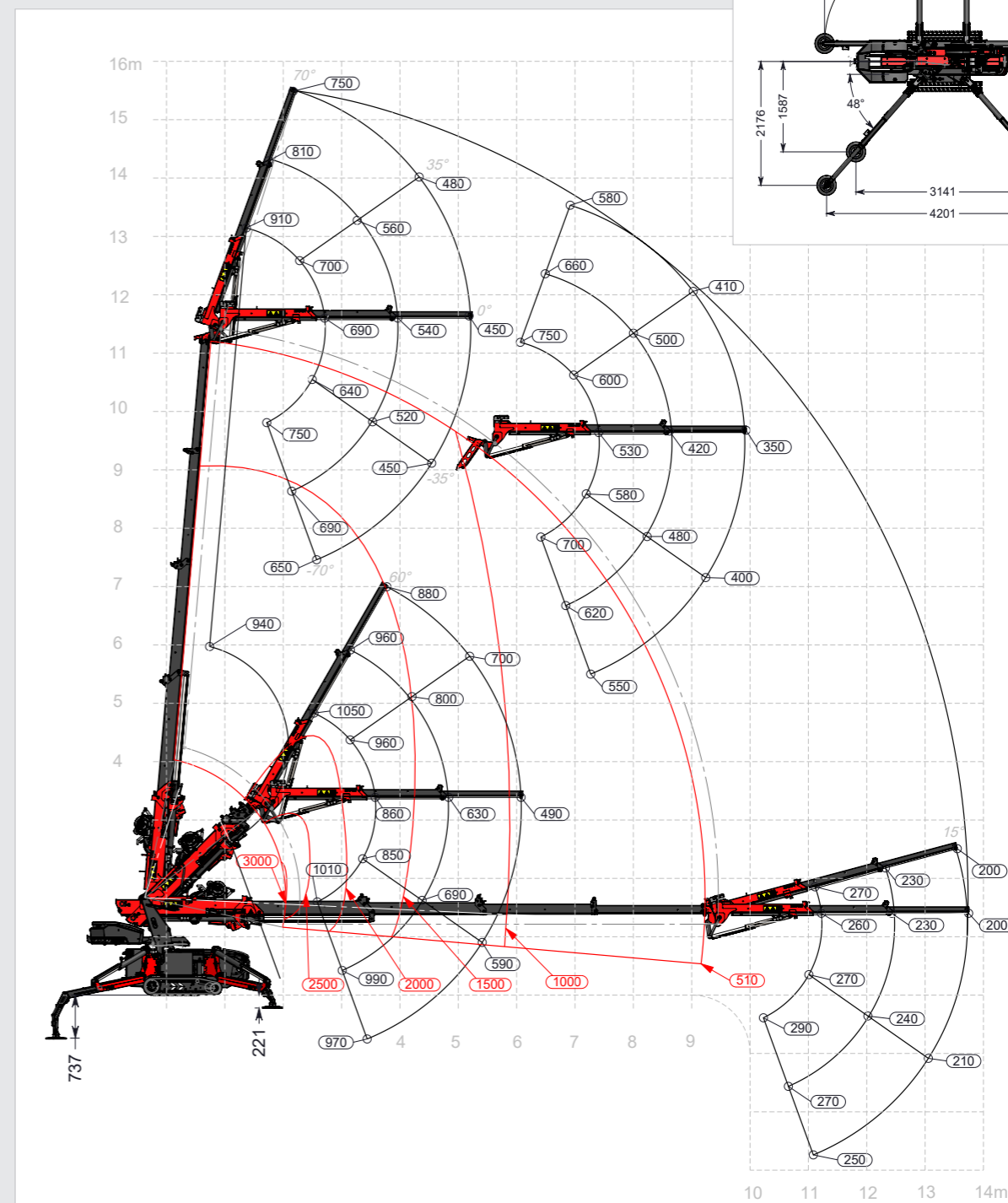
Technical specifications

Load charts

Main boom



With jib



* Chart based on the crane with extended ballast and extended outriggers.

Most user-friendly Operating

Head dimensions

The C6e has a compact head. This makes it possible to work in confined spaces.



Lifting point

The crane has one lifting point for lifting the crane in the transport position.



Work lights

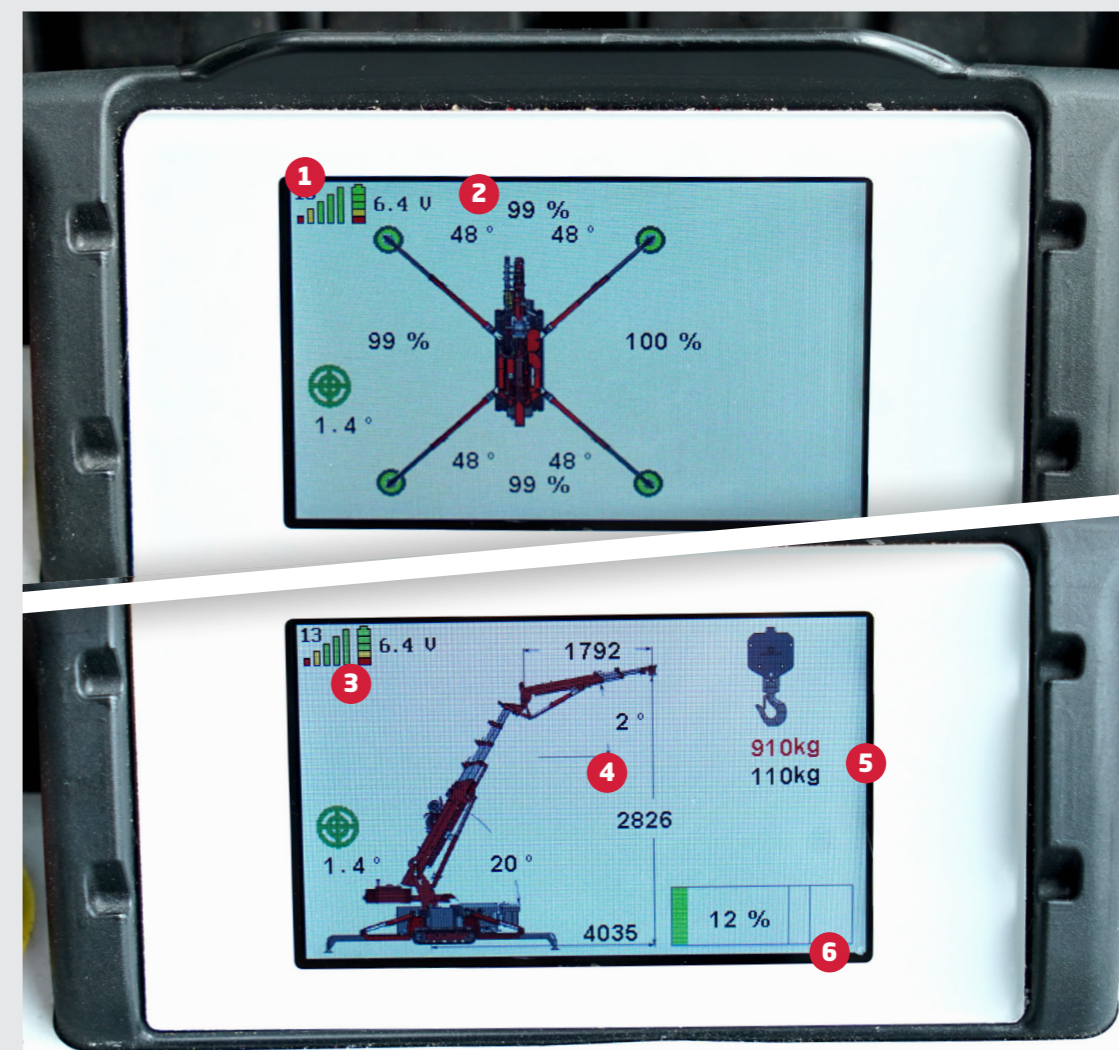
The C6e has three work lights as standard: one on the jib and two on the main boom.

Automatic folding

Both the upper section and the lower section of the crane feature automatic folding.

Winch head, adjustable section and manual jib extension

There is room on the side of the main boom to hang the winch head and adjustable section. On the opposite side there is also space to hang the manual jib extension.



Remote control

- 1 Frequency of the crane.
- 2 Position of outriggers and capacity of the crane.
- 3 Remote control battery state of charge.
- 4 Height and outreach of the crane.
- 5 Weight hanging from the machine and the maximum capacity of the crane.
- 6 Load as percentage of crane capacity.



Winch weight

The C6e is equipped with a redesigned, two-part winch weight: a compact weight for single-line lifting and a larger weight with sheaves for hoisting. The total weight is 36 kg.



Operation

The lightweight remote has six paddle switches that provide very responsive control. The remote control can be used with either a neck or hip belt.



Retractable/extendable counterweight

The counterweight is hydraulically extendable and retractable. The capacity of the crane increases when the ballast is extended. The crane automatically knows whether the counterweight is extended or retracted.



Removable counterweight

The C6e's counterweight is removable. This makes it possible to reduce the weight of the crane by 500 kg. By also removing the jib, it is possible to reduce the crane's own weight to 2120 kg.



CO₂ neutral 100% electric

The Hoeflon C6e is a fully electric mini-crane. That means CO₂ neutrality when you work with this machine. Hoeflon customers also cite the C6e's silent operation as an absolute plus.

A mini-crane is ideally suited for all-electric operation, because a mini-crane is often used inside or near a building where electric power is available. There are also places where there is no electricity. Fortunately, there are mobile battery systems available that provide you with power.

Construction

We use LiFePO4 battery technology. This composition has many advantages, especially when it comes to safety compared to other Li-ion batteries. The LiFePO4 battery cells cannot ignite or explode during charging/discharging. The battery has a long service life and can be charged and discharged frequently with minimal performance degradation. The composition is environmentally friendly, and high and low temperatures hardly affect the battery cell.



Information about the electric crane

At a 60% duty cycle, you can run the crane for eight hours. At lower temperatures the capacity of the battery decreases and you need to recharge it more quickly. The crane is fully charged again in five hours.



capacity
of up to
8 hours



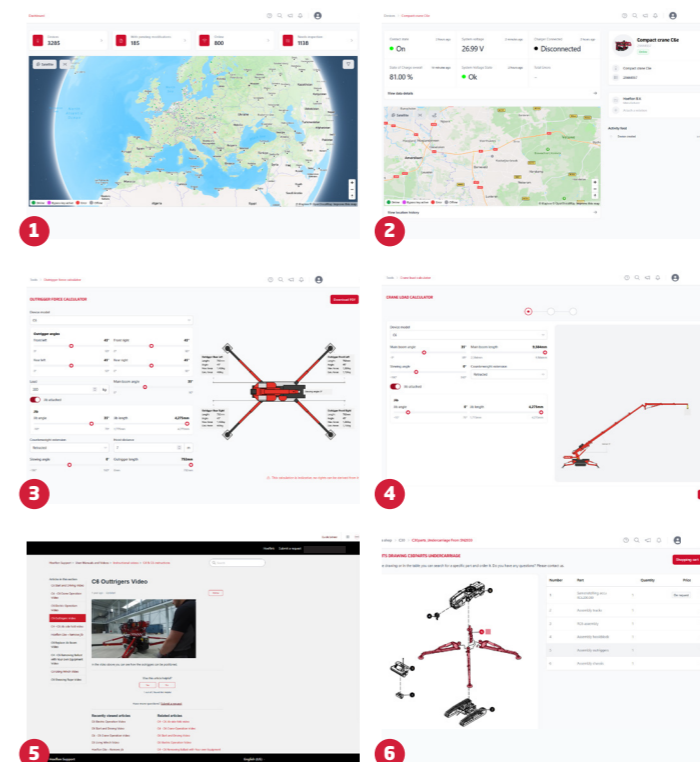
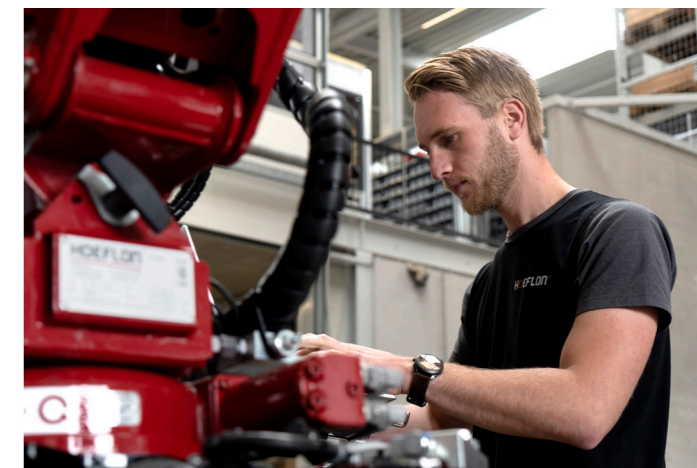
- ✓ Charge with a generator (at least 3 kW)
- ✓ The C6e has three possible charging rates: 2.5, 5 and 10 amps.

- You can work and charge at the same time. The mini-crane recharges faster than it discharges.
- At low temperatures the battery warms itself up to 0 °C, at which point it starts to charge.
- The C6e can be used at temperatures of -10 to +40 °C.
- The battery's state of charge is shown on the machine.
- Recharging is possible with 230 V and 110 V single phase.



Hoeflon and service **Solution guaranteed!**

Hoeflon stands for quality. In the unlikely event of a problem, we will solve it! Service is of paramount importance. The primary objective is ensuring that the crane is back in service as quickly as possible. Local service shops, service vans and trained service technicians are present in all markets that Hoeflon serves. This is your guarantee that you will be back to work in no time!



Hoeflink

- 1 Remote support
- 2 Up to four weeks of history available for review
- 3 Outrigger force calculator
- 4 Load calculator
- 5 Access to the Hoeflon support database with explanatory videos, user manuals and more
- 6 Parts webshop, exploded view

Interested?

Then watch a demo at one of our dealers!



Hoeflon dealers

Hoeflon is represented on all continents. This means you have a personal point of contact. You can always reach out to them for purchase and service. Communication is always in your own language.

Call one of our dealers for more information on the C6e, or one of the other Hoeflon cranes. You can also make an appointment for a comprehensive demo.

We look forward to your visit!



C6e

The unique all-rounder!

Hoeflon International B.V.

Zwolleweg 2

3771 NR Barneveld, NL

T +31 342 400288

sales@hoeflon.com

KVK 66408962

BIC ABNANL2A

BTW NL856539806B01

IBAN NL96ABNA0457114533

www.hoeflon.com