

Technical sheet :

MT 1840 HA



 **MANITOU**
HANDLING YOUR WORLD

| Capacities | | Metric |
|--|-----------|---|
| Max. capacity | | 4000 kg |
| Max. lifting height | | 17.55 m |
| Maximum outreach | | 13.08 m |
| Breakout force with bucket | | 8390 daN |
| Weight and dimensions | | |
| Overall length to carriage | l11 | 6.15 m |
| Length to face of forks | l2 | 6.27 m |
| Overall width | b1 | 2.36 m |
| Overall height | h17 | 2.45 m |
| Wheelbase | y | 3.07 m |
| Ground clearance | m4 | 0.37 m |
| Overall cab width | b4 | 0.89 m |
| Tilt-up angle | a4 | 12 ° |
| Tilt-down angle | a5 | 114 ° |
| External turning radius (over tyres) | Wa1 | 3.94 m |
| Unladen weight (with forks) | | 12680 kg |
| Overall weight | | 12680 kg |
| Tires type | | Inflatable |
| Standard tires | | Alliance 400/80 - 24 - 162A8 |
| Forks length / width / section | l / e / s | 1200 mm x 125 mm x 50 mm |
| Performances | | |
| Lifting | | 14 s |
| Lowering | | 14 s |
| Extension | | 19 s |
| Retraction | | 15 s |
| Scoop | | 5 s |
| Dump | | 5 s |
| Engine | | |
| Engine brand | | Deutz |
| Engine norm | | Stage V |
| Engine model | | TCD 3.6 |
| Number of cylinders / Capacity of cylinders | | 4 - 3621 cm ³ |
| Engine power (Hp/kW) | | 100 Hp / 75 kW |
| Max. torque / Engine rotation | | 410 Nm @ 1600 rpm |
| Drawbar pull (Laden) | | 7350 daN |
| Transmission | | |
| Transmission type | | Hydrostatic |
| Number of gears (forward / reverse) | | 3 / 3 |
| Max. travel speed | | 24.90 km/h |
| Max. travel speed (may vary according to applicable regulations) | | 24.90 km/h |
| Parking brake | | Automatic negative parking brake |
| Service brake | | Oil-immersed multi-discs on front & rear axles |
| Hydraulics | | |
| Hydraulic pump type | | Gear pump |
| Hydraulic flow / Pressure | | 167 l/min-250 bar |
| Tank capacities | | |
| Engine oil | | 10 l |
| Hydraulic oil | | 135 l |
| Diesel Exhaust fluid (AdBlue® type) | | 22.60 l |
| Fuel | | 140 l |
| Noise and vibration | | |
| Noise at driving position (LpA) | | 79 dB |
| Noise to environment (LWA) | | 106 dB |
| Vibration on hands/arms | | 2.50 m/s ² |
| Miscellaneous | | |
| Steering wheels (front / rear) | | 2 / 2 |
| Drive wheels (front / rear) | | 2 / 2 |
| Cab certification | | Cabin ROPS - FOPS level 2 |
| Controls | | JSM |
| Additional information | | Data indicated with basket basket, except max. capacity, lifting height and offset. |

Data indicated with basket basket, except max. capacity, lifting height and offset.

MT 1840 HA - Dimensional drawing



MT 1840 HA - Load chart

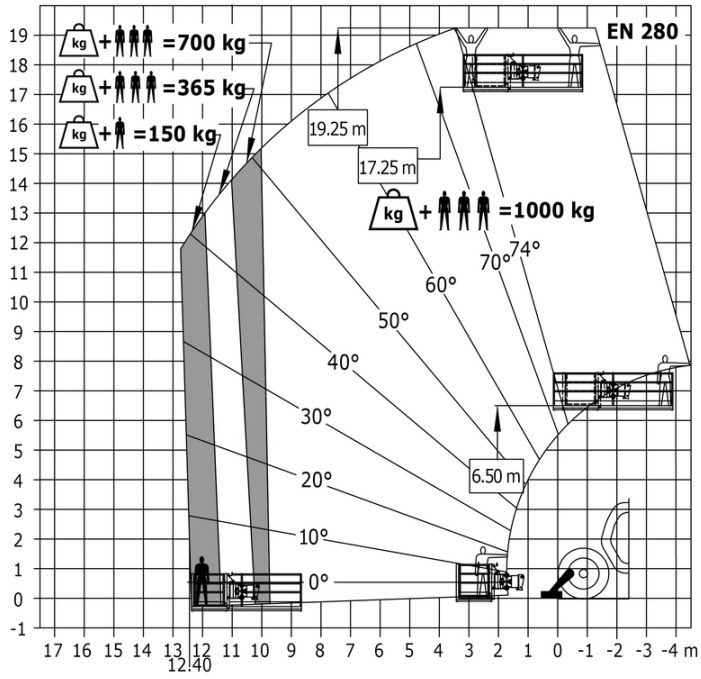
Machine on tires with forks - with levelling device Metric



Machine on lowered stabilisers with forks Metric



Machine on stabilisers with Man basket Metric





Head Office

B.P. 249 - 430 rue de l'Aubinière

44150 Ancenis Cedex - France

Tel: +33 (0)2 40 09 10 11 - Fax: +33 (0)2 40 09 10 97

www.manitou.com



This publication provides a description of the configuration versions and options for Manitou products, which may differ for equipment. The equipment presented in this brochure may be part of a series, as an option, or it may not be available, depending on the versions. Manitou reserves the right, at any time and without notice, to amend the specifications described and represented. The specifications provided do not bind the manufacturer. For more details, please contact your Manitou agent. This is not a contractually binding document. The presentation of the products is not contractually binding. List of specifications non-exhaustive. The logos as well as the visual identity of the company are owned by Manitou and cannot be used without authorisation. All rights reserved. The photos and diagrams contained in this brochure are only provided for consultation and information purposes.

MANITOU BF SA - Limited company with board of directors - Share capital: 39,668,399 euros - 857 802 508 RCS Nantes